

**ARCHITECT**

Robert E. Donahue  
60 Hamilton Road  
Parsippany, NJ 07054

Phone: (973) 808-7099  
Fax: (973) 954-2557

Robert E. Donahue, R.A.  
NJ License No. 21A101598400  
PA License No. RA403394  
NY License No. 030761



NCARB No. 56585

*h*

**CONSULTANT:**

PROJECT NAME:  
NEW GARAGE AT THE  
DIAMOND RESIDENCE  
131 COTTAGE PLACE  
RIDGEMOOD, NJ

**SHEET NAME:**

FOUNDATION, FIRST, ATTIC,  
AND ROOF PLANS

PROJECT NUMBER: 0803

DATE: 2/15/08

REV.	DATE	DESCRIPTION
1		
2		
3		
4		

DRAWN BY:

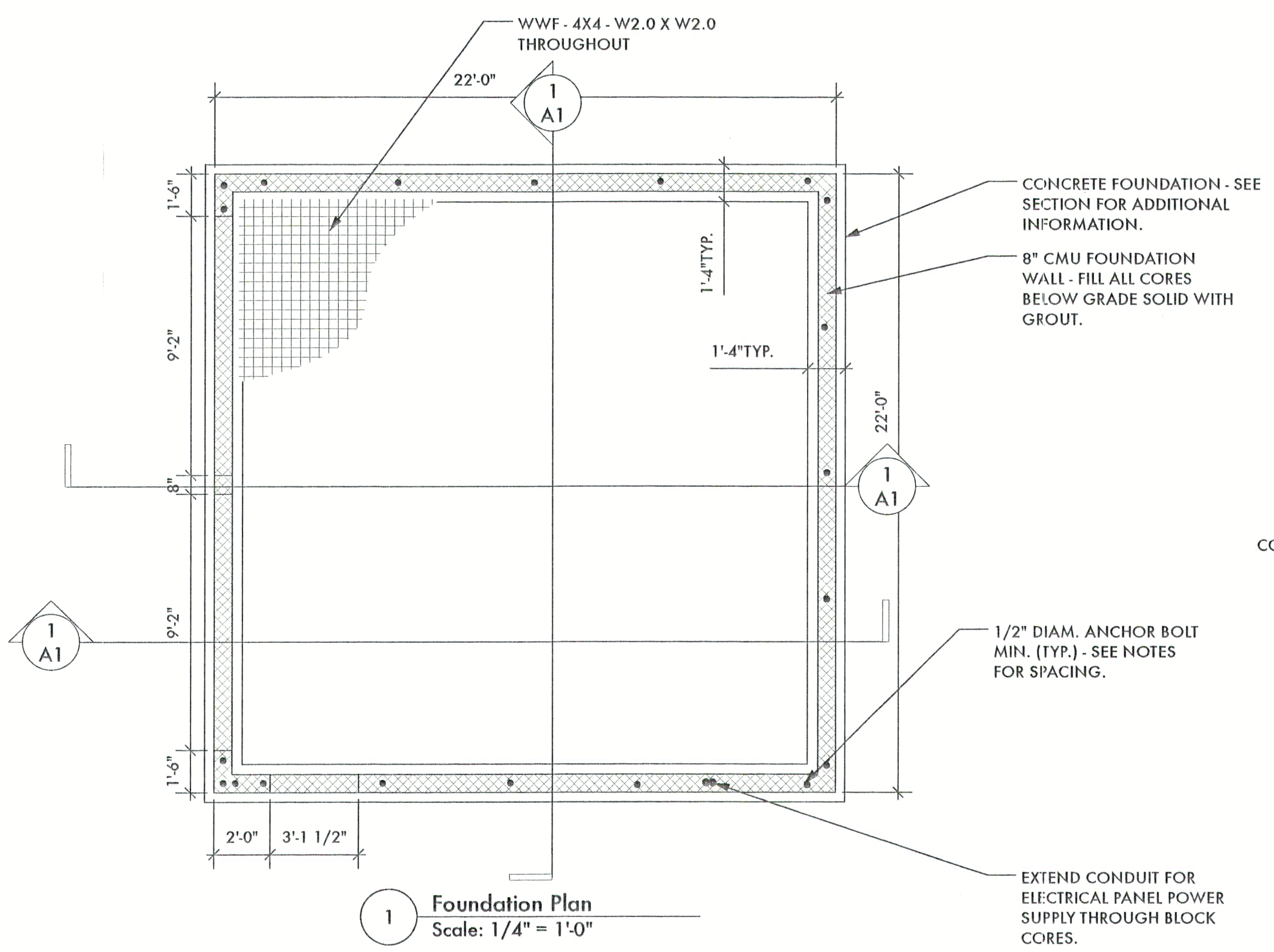
CHECKED BY: RED

ISSUE DATE: 3/13/08

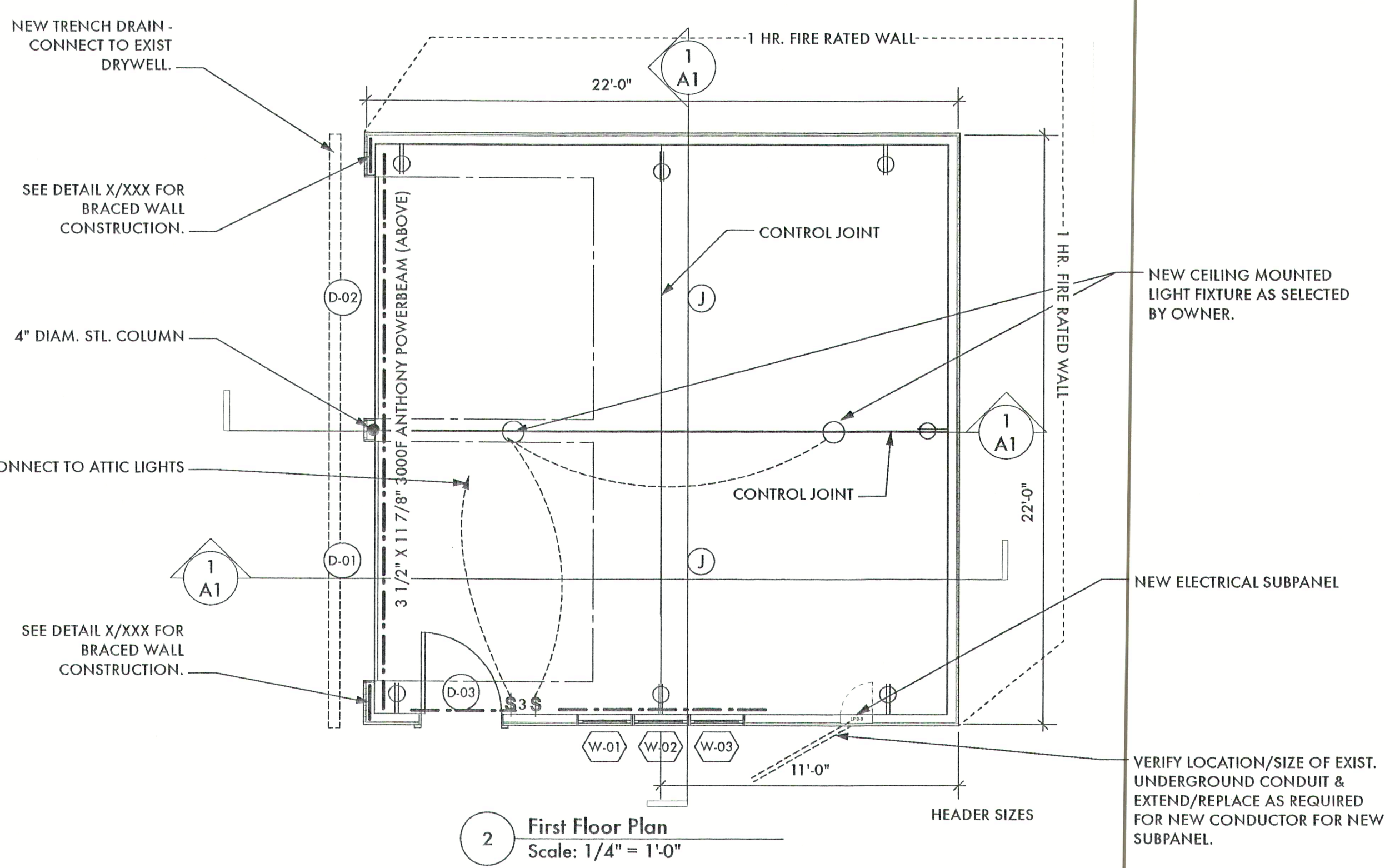
**A-1**

SHEET NO.

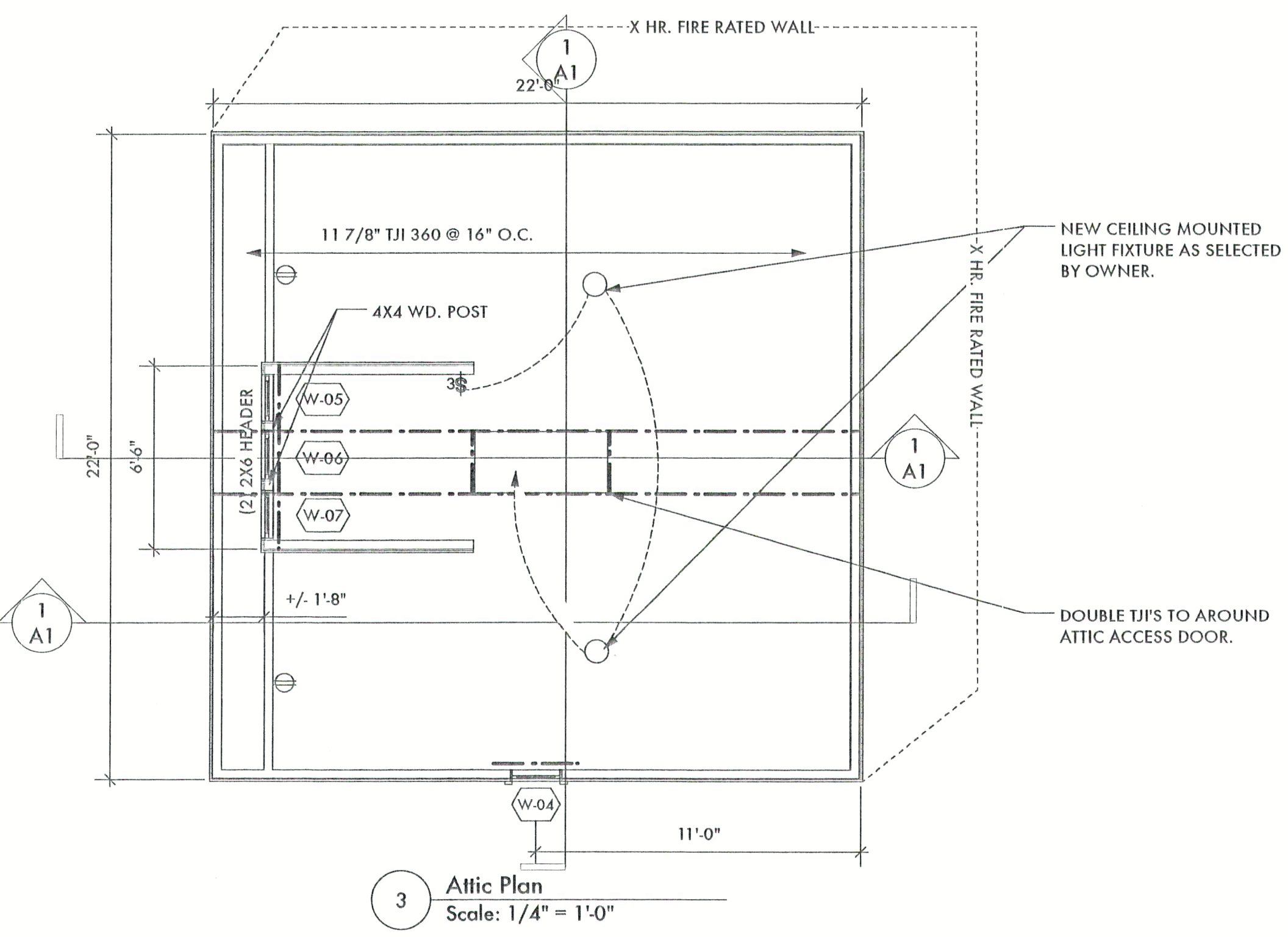
SHEET OF



- NOTES:
- ANCHOR BOLT SPACING:  
PROVIDE ANCHOR BOLTS @ 6'-0" O.C. MIN.  
PROVIDE MIN. 2 BOLTS PER PLATE SECTION.  
PROVIDE ANCHOR BOLTS MAX. 12" FROM CORNERS.



- NOTES:
- COORDINATE HEIGHT OF ELECTRICAL OUTLETS WITH OWNER.
  - ALL HEADERS NOT NOTED TO BE MIN. (2) 2X8.



- NOTES:
- DESIGN LIVE LOAD = 20 PSF
  - ALL HEADERS NOT NOTED TO BE (2) 2X8 MIN.

