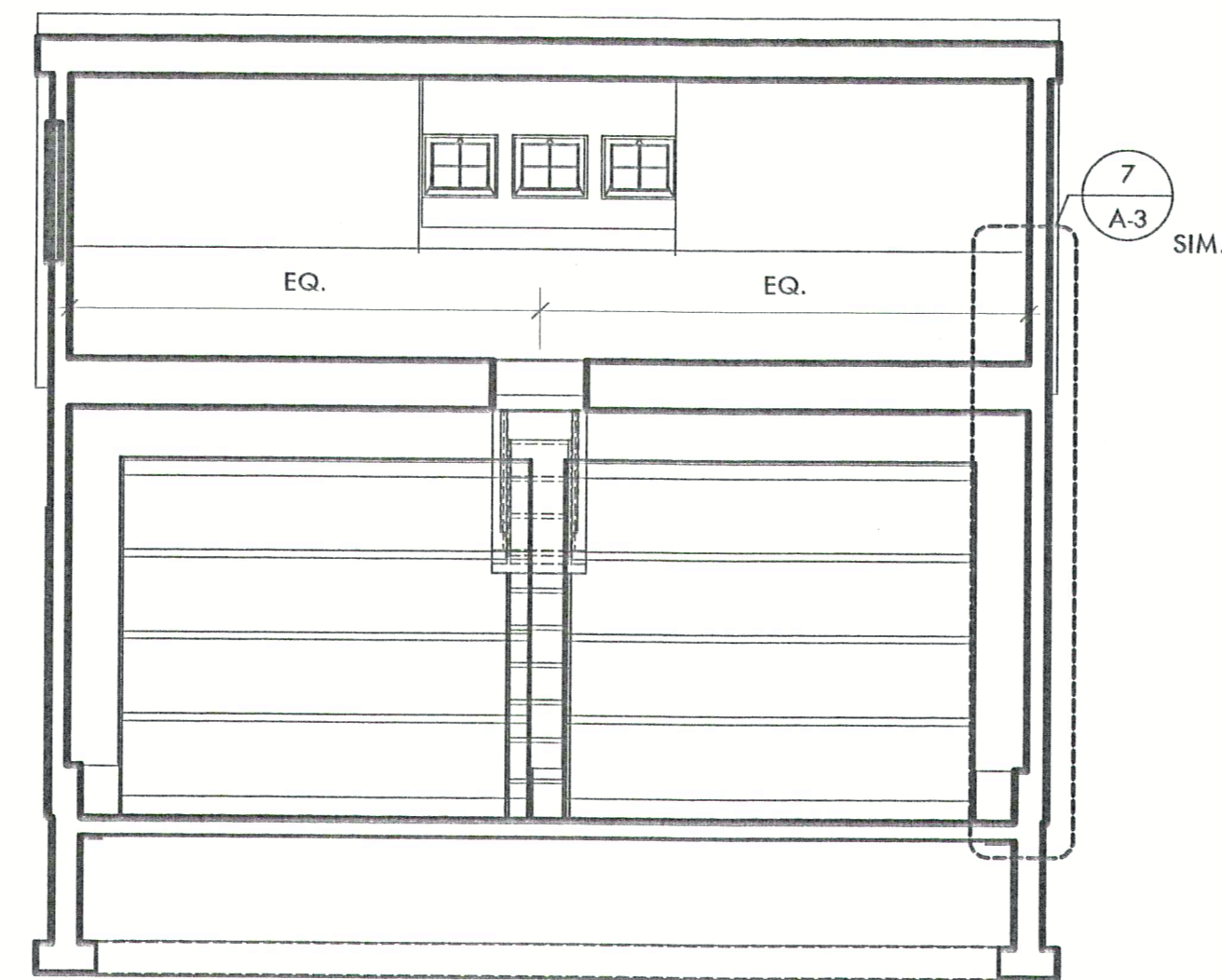
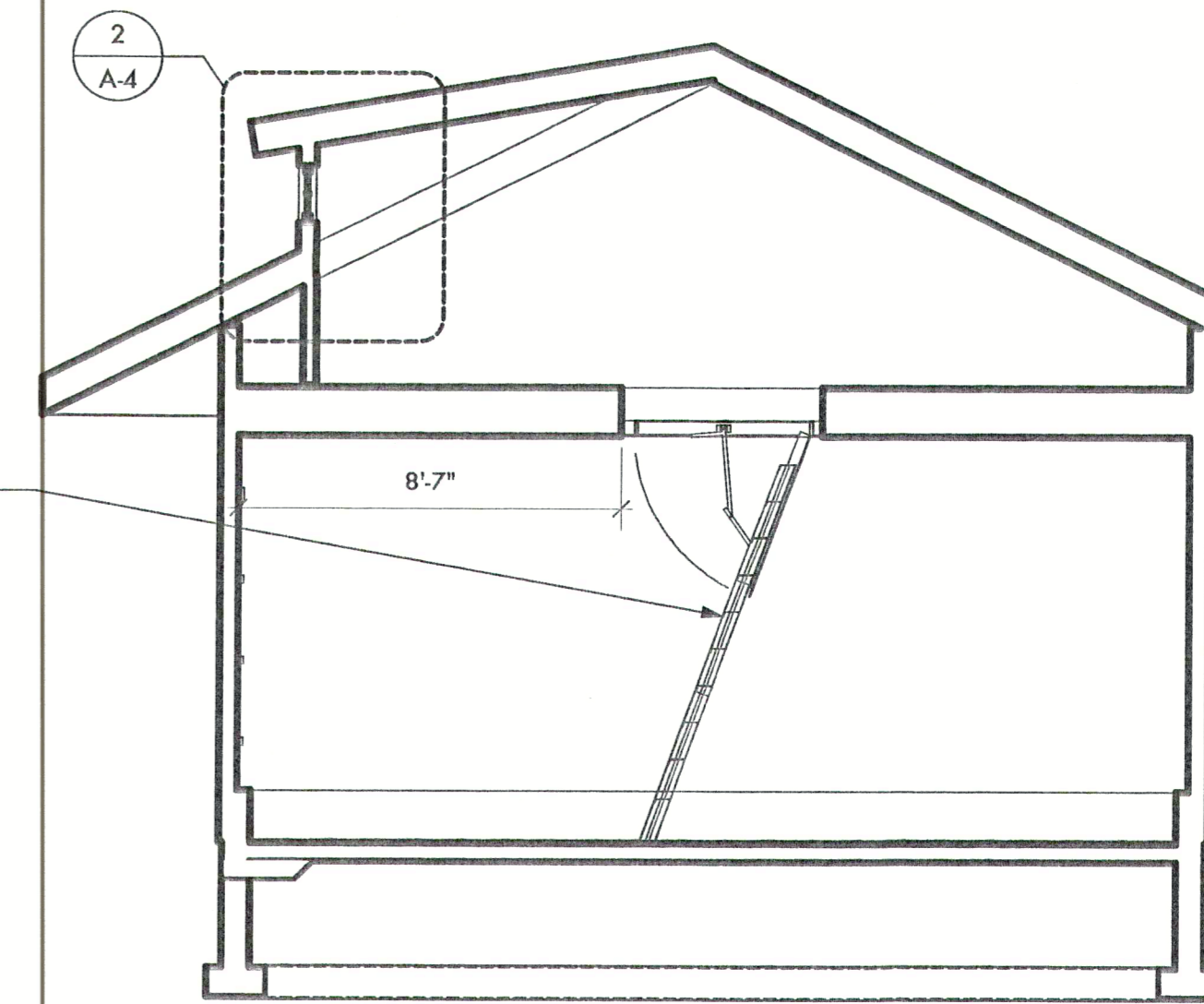


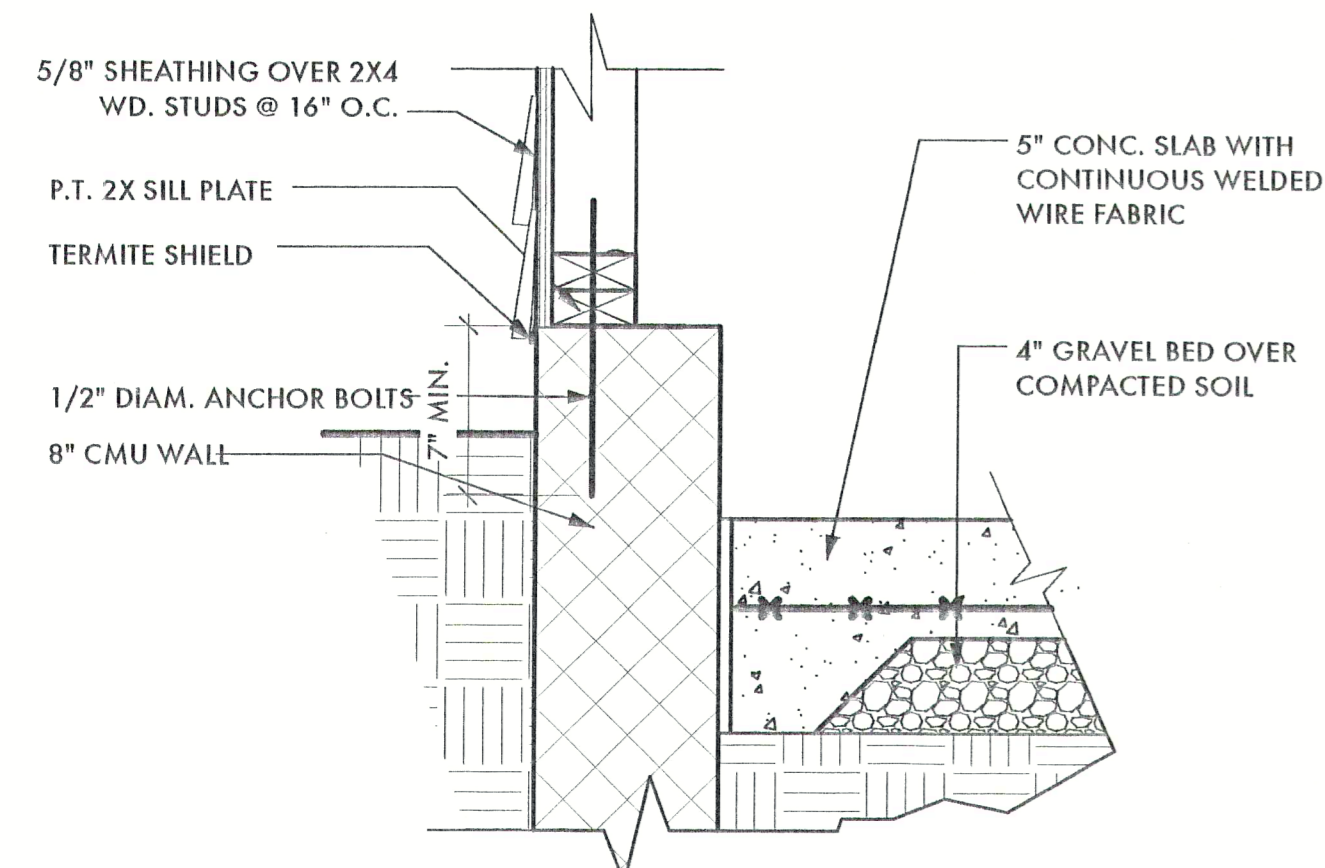
1 SECTION  
Scale: 1/4" = 1'-0"



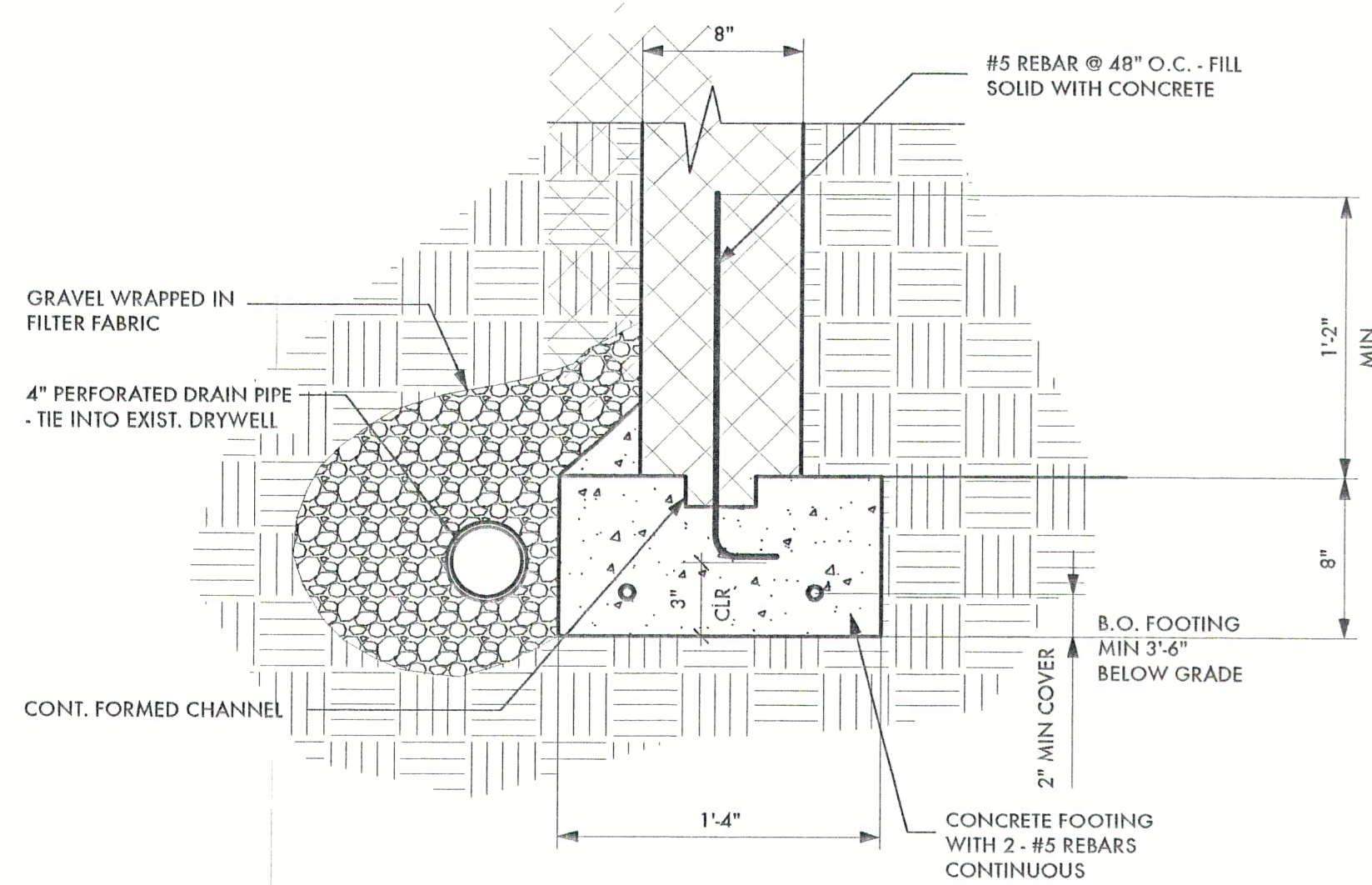
2 SECTION  
Scale: 1/4" = 1'-0"



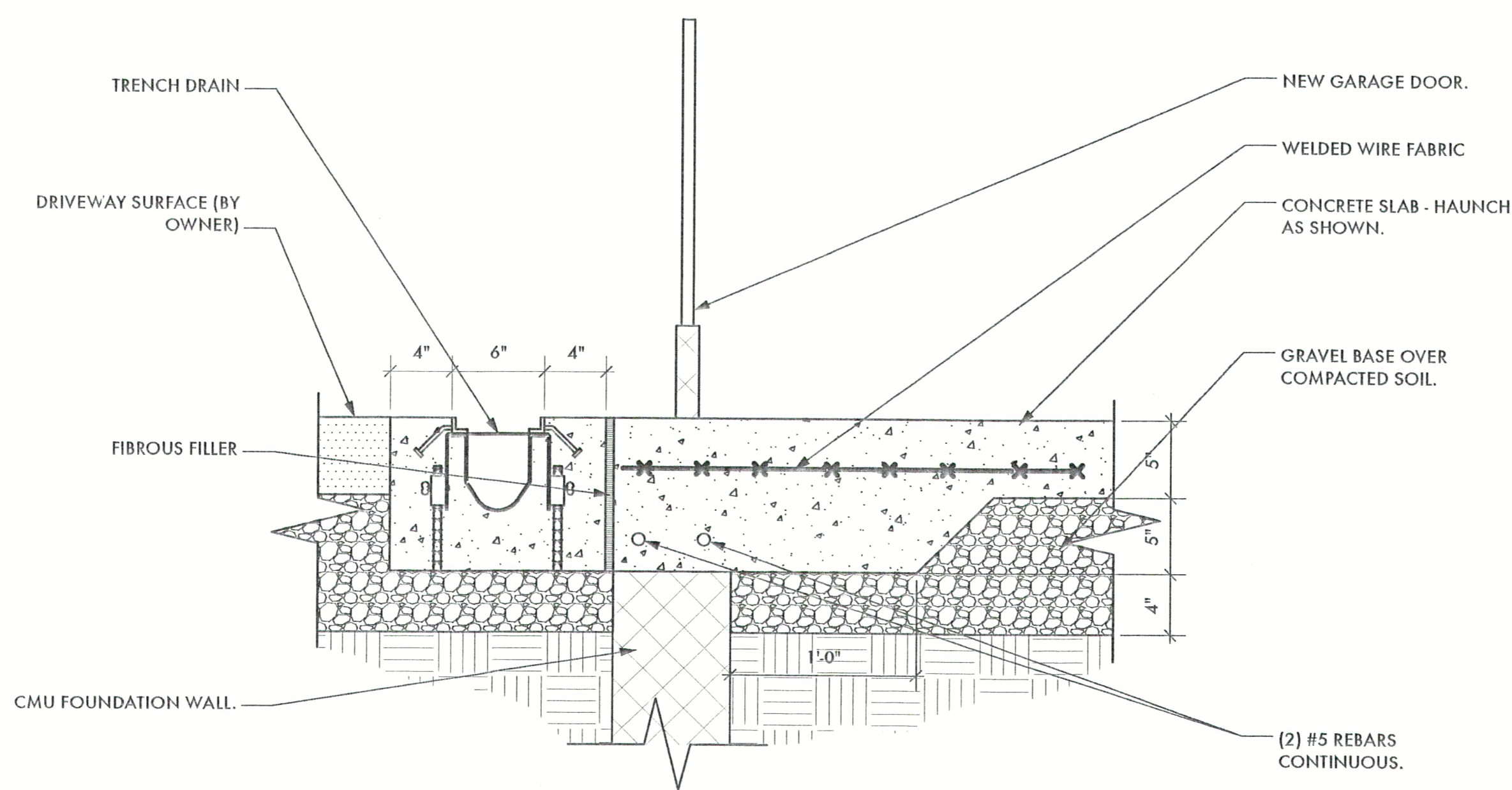
3 SECTION  
Scale: 1/4" = 1'-0"



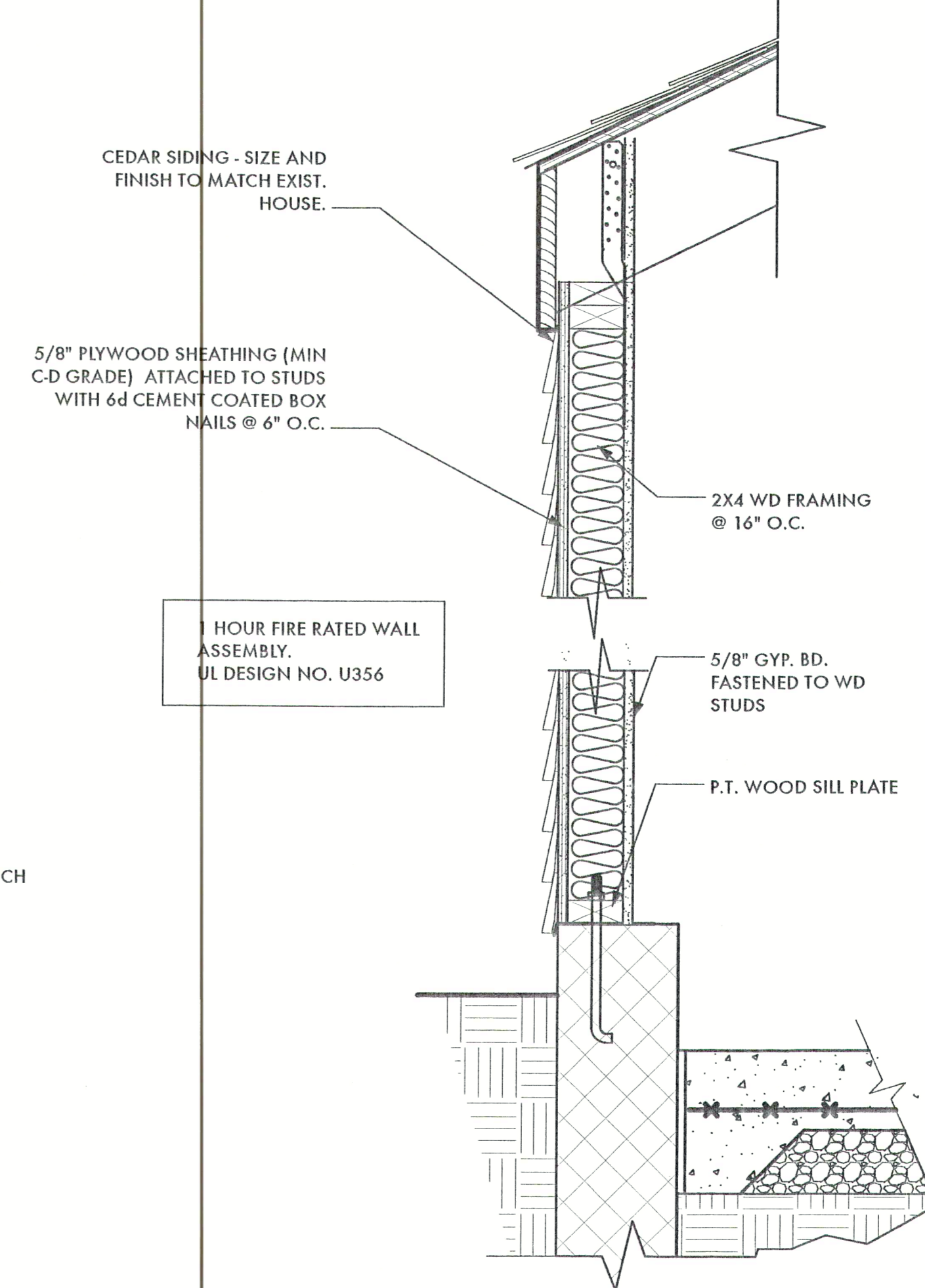
4 DETAIL @ FOUNDATION WALL  
Scale: 1 1/2" = 1'-0"



5 DETAIL @ FOOTING  
Scale: 1 1/2" = 1'-0"



6 SECTION @ GARAGE DOOR  
Scale: 1 1/2" = 1'-0"



7 SECTION @ FIRE RATED WALL  
Scale: 1 1/2" = 1'-0"

NOTE: COMPLY WITH ALL INSTALLATION INSTRUCTIONS OF UL DESIGN NO. U356

ARCHITECT

Robert E. Donahue  
60 Hamilton Road  
Parsippany, NJ 07054

Phone: (973) 808-7099  
Fax: (973) 954-2557

Robert E. Donahue, R.A.  
NJ License No. 21A101598400  
PA License No. RA403394  
NY License No. 030761



NCARB No. 56585

CONSULTANT:

PROJECT NAME:  
NEW GARAGE AT THE  
DIAMOND RESIDENCE  
131 COTTAGE PLACE  
RIDGEWOOD, NJ

SHEET NAME:

SECTIONS AND DETAILS

PROJECT NUMBER: 0803

DATE: 2/15/08

REV.	DATE	DESCRIPTION
1		
2		
3		
4		

DRAWN BY:

CHECKED BY: RED

ISSUE DATE: 3/13/08

**A-3**

SHEET NO.

SHEET OF