

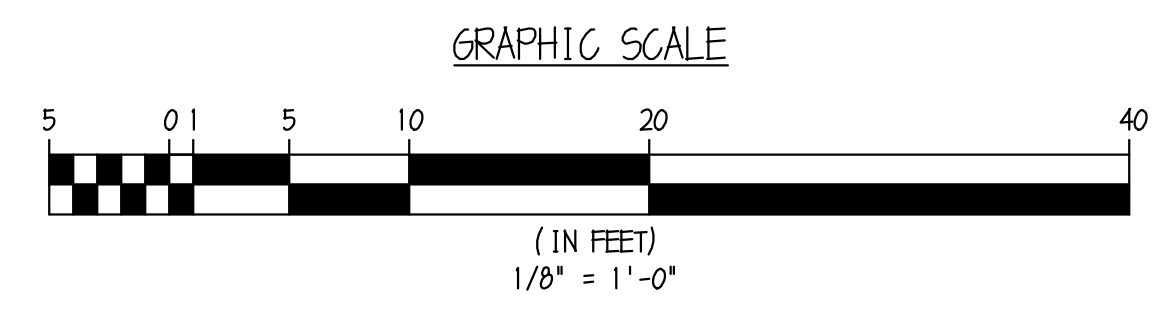
A GROUND FLOOR PLAN
 ASK-100 SCALE: 1/8" = 1'-0"
 PROJECT NORTH

Handwritten signature: Stanley C...

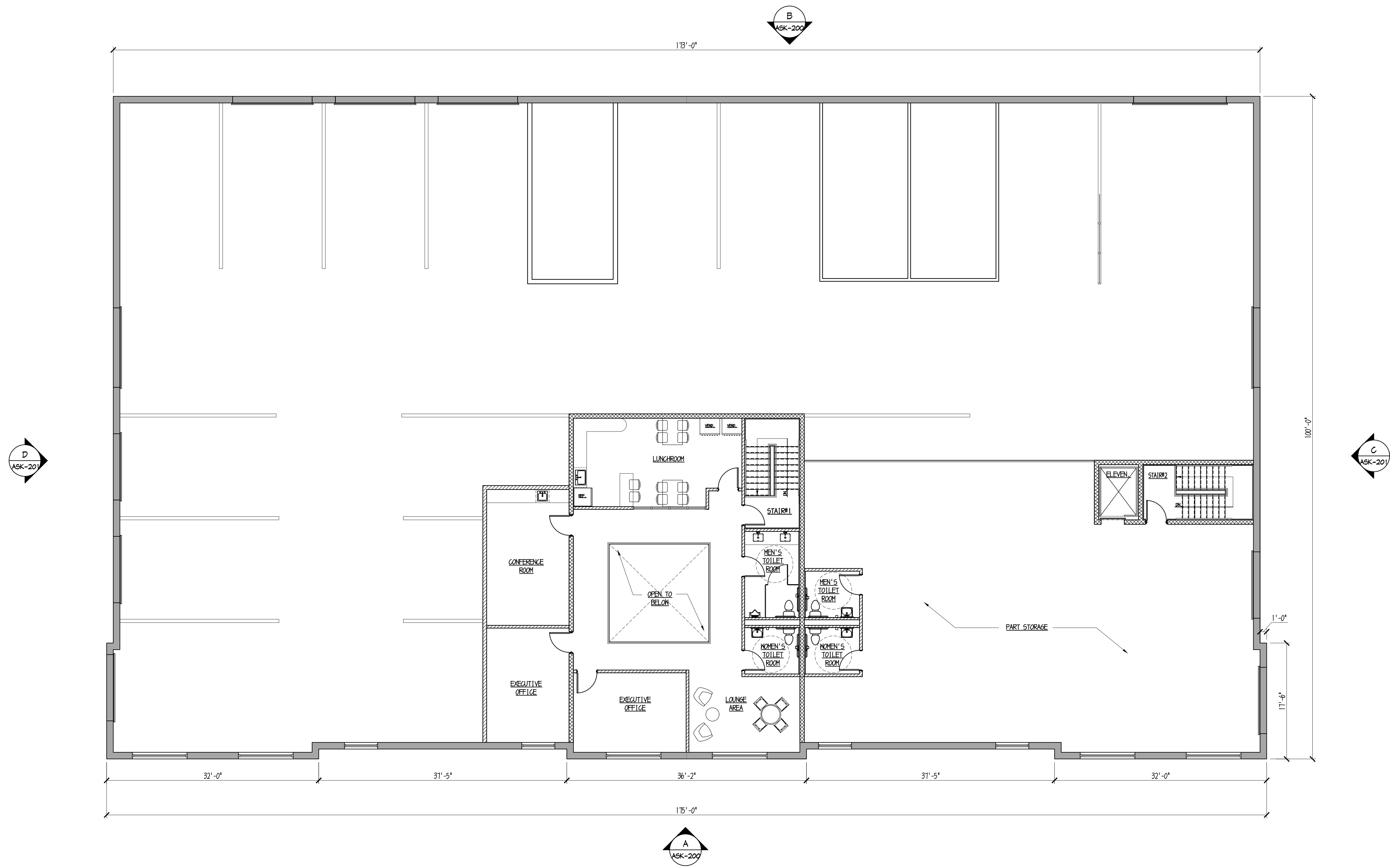
24 OCTOBER 2024	FOR REVIEW
22 OCTOBER 2024	ADDED DOORS
10 SEPTEMBER 2024	FOR REVIEW
26 AUGUST 2024	REVIEW
ISSUES & REVISIONS	

PROPOSED ALTERATIONS:
MOUNTAIN VIEW AUTO BODY
 246 S BROAD ST.
 RIDGEWOOD, NEW JERSEY

BILLOW GARRETT GROUP
 ARCHITECTS AND PLANNERS, P.C.
 161 MAIN ST. • RIDGEFIELD PARK, NJ 07660
 (201) 807-0407 • FAX (201) 807-0513
 DAVID N. BILLOW NJ AI 5899 NY 10029
 ANTHONY GARRETT NJ AI 14398 NY 22174



GROUND FLOOR PLAN
 DRAWING NUMBER
ASK-100

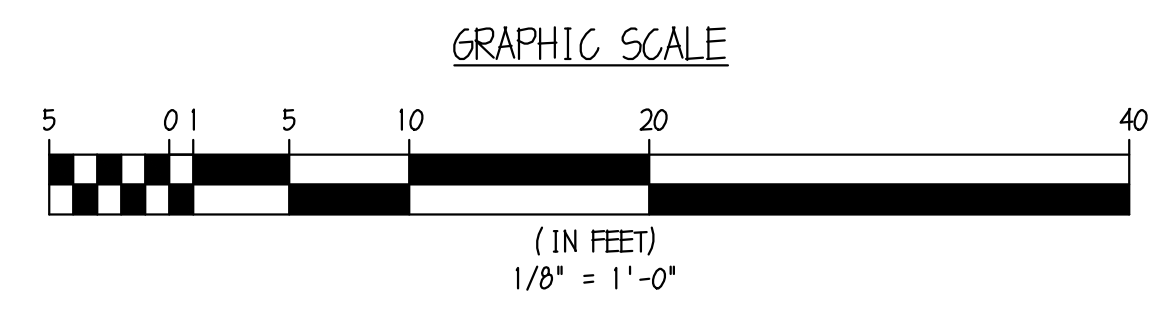


Handwritten signature

A MEZZANINE FLOOR PLAN
 ASK-101 SCALE: 1/8" = 1'-0"
 PROJECT NORTH

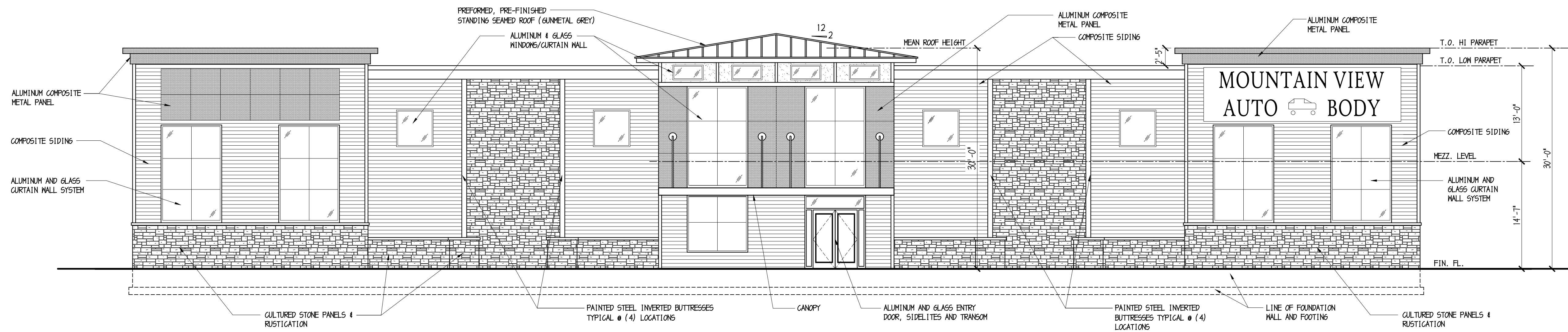
24 OCTOBER 2024	FOR REVIEW
22 OCTOBER 2024	ADDED DOORS
10 SEPTEMBER 2024	FOR REVIEW
26 AUGUST 2024	REVIEW
ISSUES & REVISIONS	

PROPOSED ALTERATIONS:
MOUNTAIN VIEW AUTO BODY
 246 S BROAD ST.
 RIDGEWOOD, NEW JERSEY

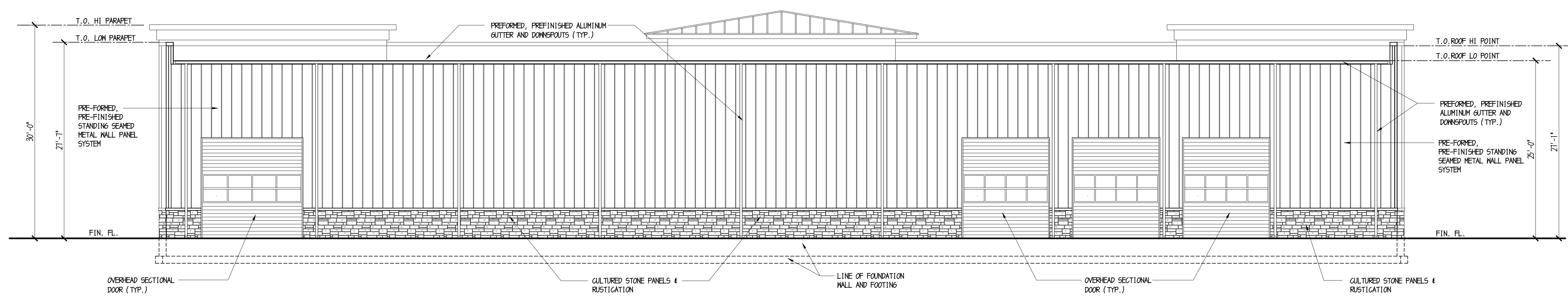


BILOW GARRETT GROUP
 ARCHITECTS AND PLANNERS, P.C.
 161 MAIN ST. • RIDGEFIELD PARK, NJ 07660
 (201) 807-0407 • FAX (201) 807-0513
 DAVID N. BILOW NJ AI 5299 NY 10029
 ANTHONY GARRETT NJ AI 5498 NY 22174

MEZZANINE FLOOR PLAN
 DRAWING NUMBER
ASK-101



A EAST ELEVATION
 ASK-200 SCALE: 1/8"=1'-0"



B WEST ELEVATION
 ASK-200 SCALE: 1/8"=1'-0"

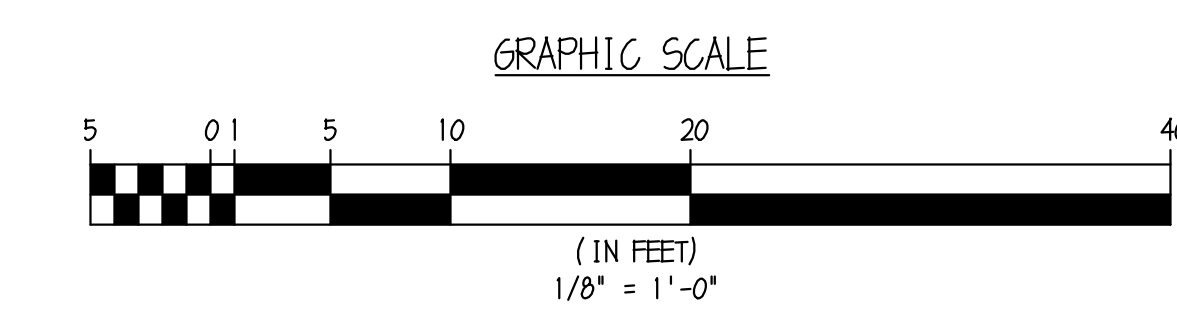
Anthony Curran

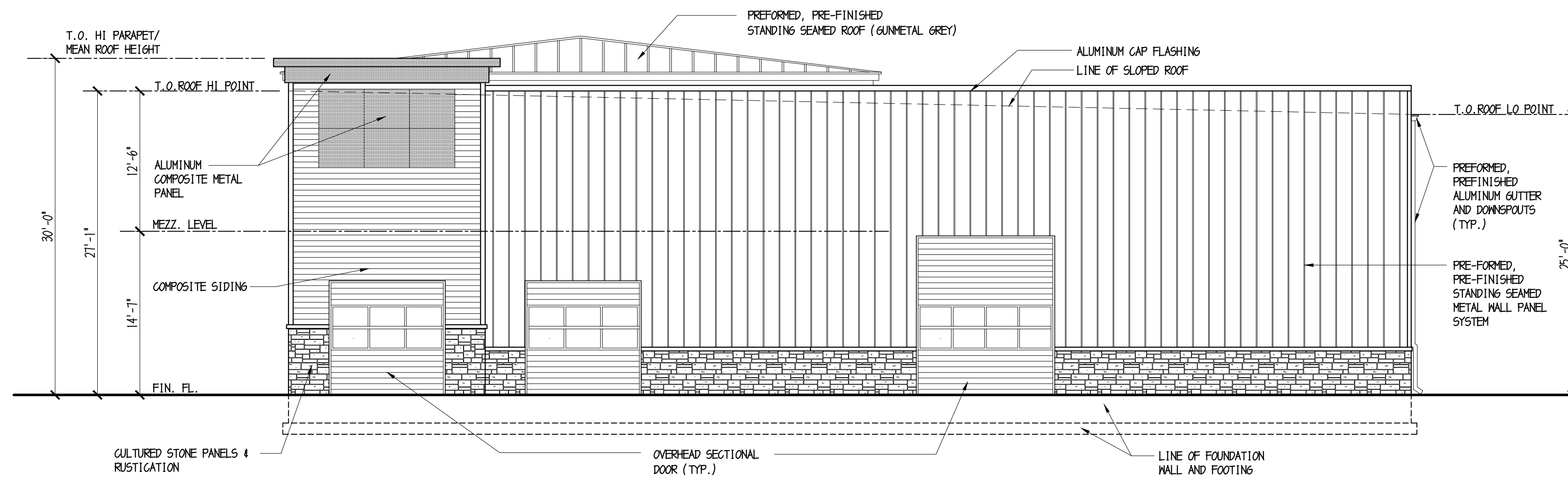
24 OCTOBER 2024 FOR REVIEW
 10 SEPTEMBER 2024 FOR REVIEW
 08 AUGUST 2024 FOR REVIEW
 ISSUES & REVISIONS

PROPOSED ALTERATIONS:
MOUNTAIN VIEW AUTO BODY
 246 S BROAD ST.
 RIDGEWOOD, NEW JERSEY

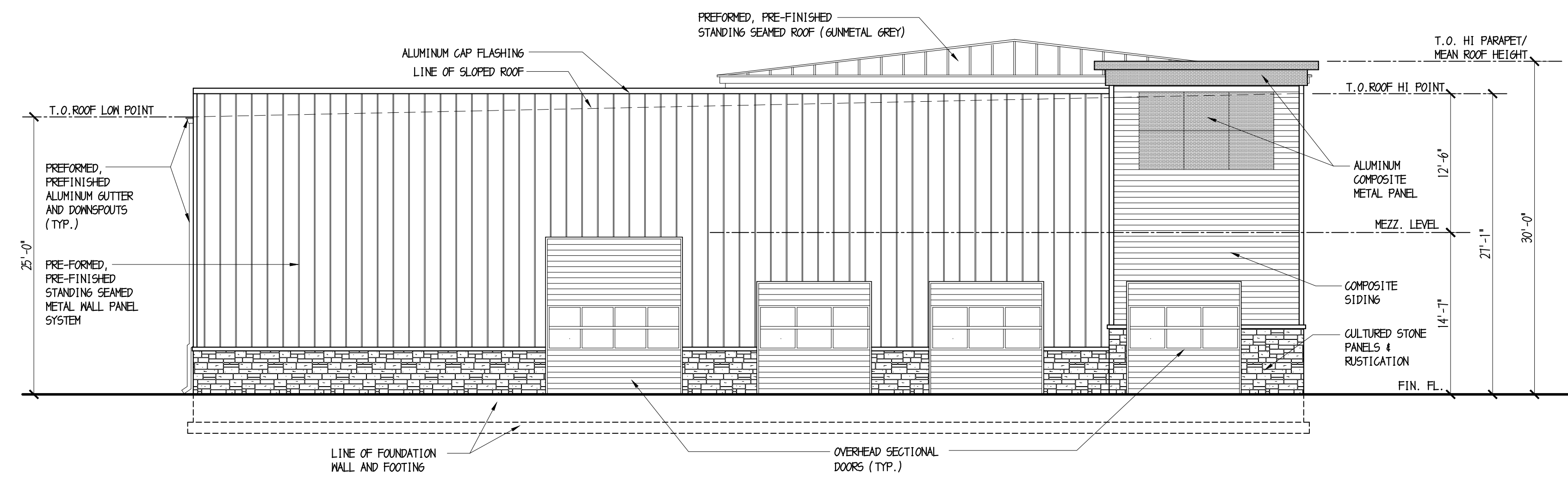
BILOW GARRETT GROUP
 ARCHITECTS AND PLANNERS, P.C.
 161 MAIN ST. • RIDGEFIELD PARK, NJ 07660
 (201) 807-0407 • FAX (201) 807-0513
 DAVID N. BILOW NJ AI 5899 NY 10029
 ANTHONY GARRETT NJ AI 5498 NY 2274

EAST & WEST
 BUILDING ELEVATIONS
 DRAWING NUMBER
ASK-200





C NORTH ELEVATION
 ASK-201 SCALE: 1/8" = 1'-0"



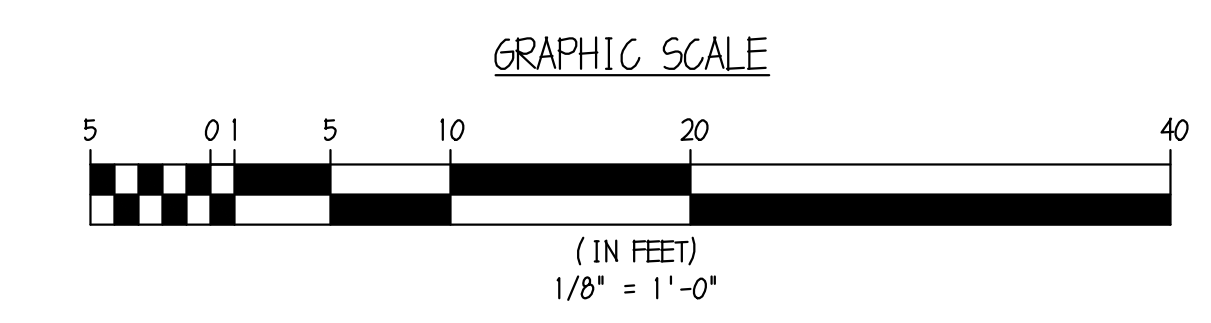
D SOUTH ELEVATION
 ASK-201 SCALE: 1/8" = 1'-0"

Handwritten signature: Stanley C. [unclear]

ISSUES & REVISIONS		
24 OCTOBER 2024	FOR REVIEW	
22 OCTOBER 2024	ADDED DOORS	
10 SEPTEMBER 2024	FOR REVIEW	
08 AUGUST 2024	REVIEW	

PROPOSED ALTERATIONS:
MOUNTAIN VIEW AUTO BODY
 246 S BROAD ST.
 RIDGEWOOD, NEW JERSEY

BILOW GARRETT GROUP
 ARCHITECTS AND PLANNERS, P.C.
 161 MAIN ST. • RIDGEFIELD PARK, NJ 07660
 (201) 807-0407 • FAX (201) 807-0513
 DAVID N. BILOW NJ AI 5899 NY 10029
 ANTHONY GARRETT NJ AI 5498 NY 2274



NORTH & SOUTH BUILDING ELEVATIONS
 DRAWING NUMBER: **ASK-201**