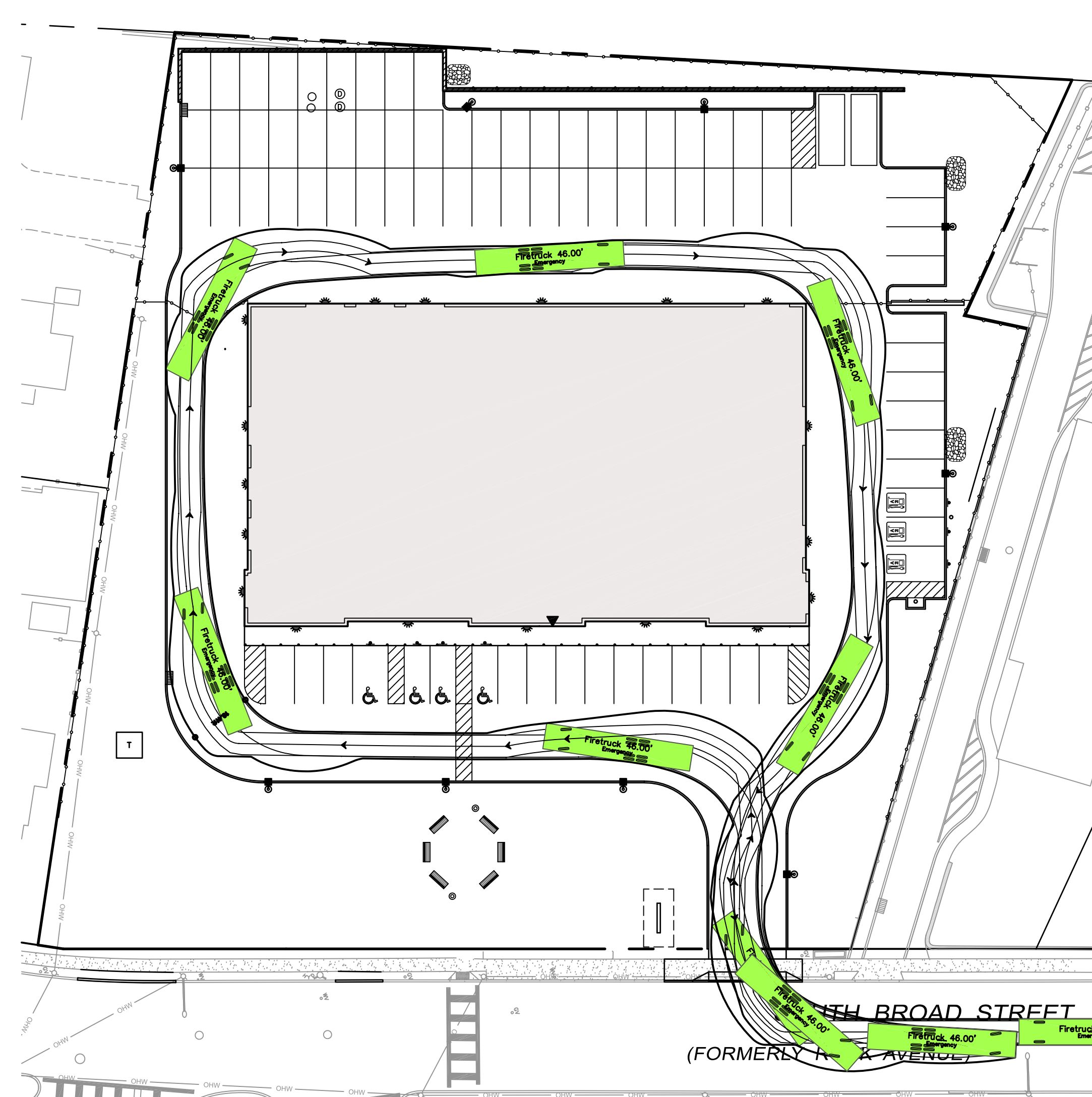


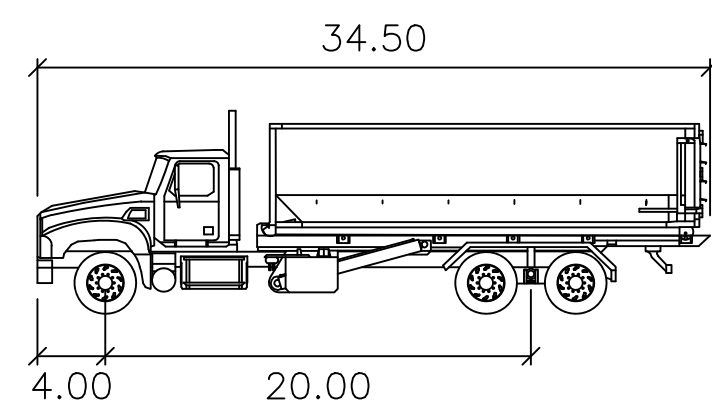
ROLL-OFF DUMPSTER TRUCK CIRCULATION PATH

SCALE: 1" = 30'



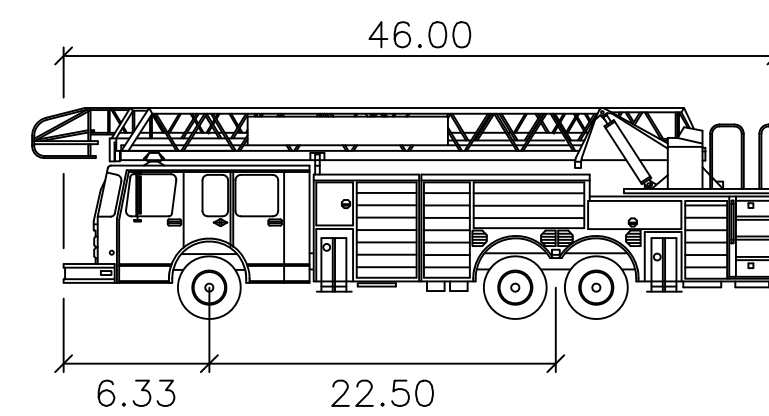
FIRETRUCK CIRCULATION PATH

SCALE: 1" = 30'



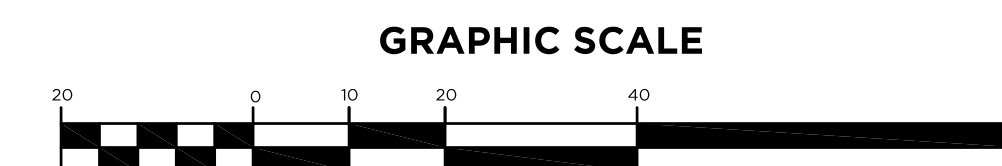
Roll-off

	feet
Width	: 8.00
Track	: 8.00
Lock to Lock Time	: 6.0
Steering Angle	: 31.8



Firetruck 46.00'

	feet
Width	: 7.99
Track	: 6.91
Lock to Lock Time	: 6.0
Steering Angle	: 40.0



66 GLEN AVENUE
 GLEN ROCK, NJ 07452
 P 201.670.6888
 F 201.670.3788
 www.bertinengineering.com



CIVIL • SURVEYING • TRAFFIC • STRUCTURAL • ENVIRONMENTAL • MECHANICAL • LANDSCAPE

CALISTO J. BERTIN, P.E.
 PROFESSIONAL ENGINEER
 CT LIC. NO. 12950 NJ LIC. NO. 28845
 MA LIC. NO. 40595 NY LIC. NO. 60022
 NH LIC. NO. 9368 RI LIC. NO. 6694

SHAN-PEI FANCHIANG, P.E.
 PROFESSIONAL ENGINEER
 NJ LIC. NO. 37073 NY LIC. NO. 071209

Shan-Pei Fanchiang

NO.	DATE	REVISION
1	11-11-24	UPDATE PLAN PER SITE LAYOUT CHANGE

DRAWING TITLE
VEHICLE CIRCULATION PLANS

PROJECT
MOUNTAIN VIEW AUTO BODY
 BLOCK 3905, LOTS 12, 13 & 14
 246-264 SOUTH BROAD STREET
 VILLAGE OF RIDGEWOOD
 BERGEN COUNTY, NEW JERSEY

CLIENT
MOUNTAIN VIEW AUTO
 96 NEWARK POMPTON TURNPIKE
 WAYNE, N.J. 07470

CERTIFICATE OF AUTHORIZATION 24GA28068900 / 21MH00002800	
DRAWN BY J.A.S.	CHECKED BY S.P.F.
SCALE 1"=20'	PROJECT NO. 22-146
DATE 7/02/24	REVISION NO. 0

DRAWING NO.
CP-5a