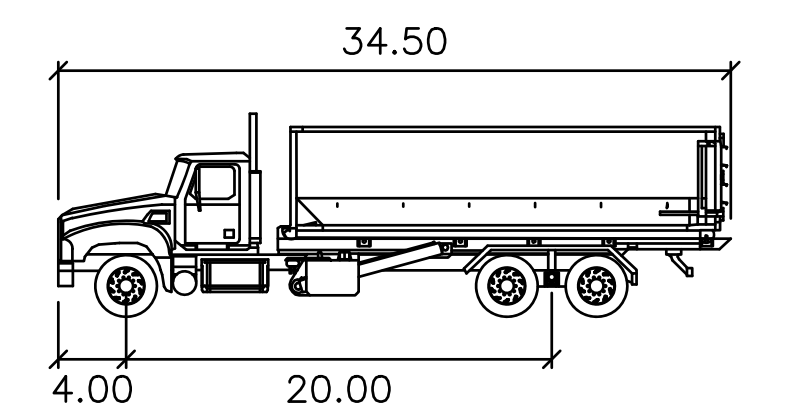
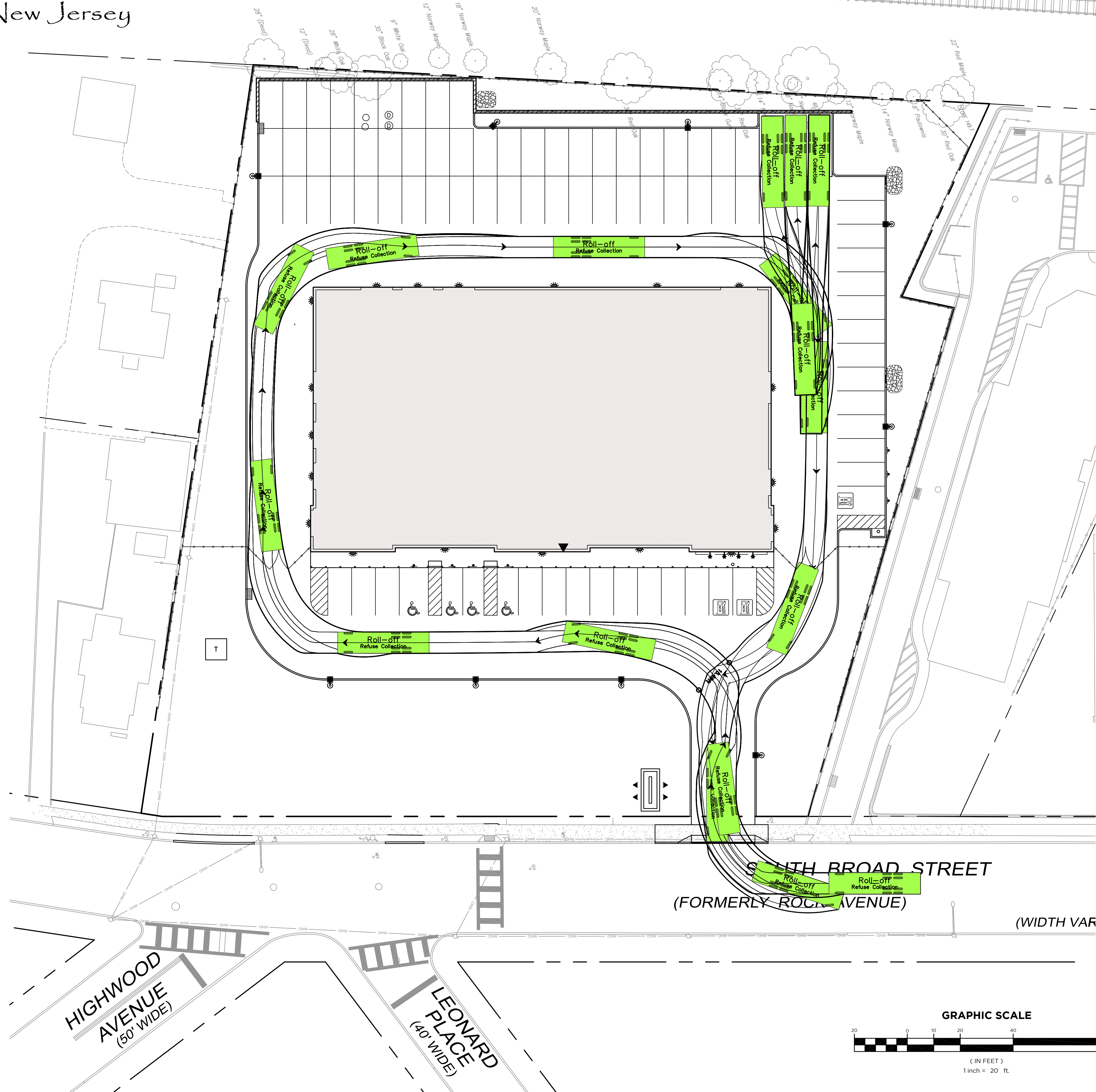
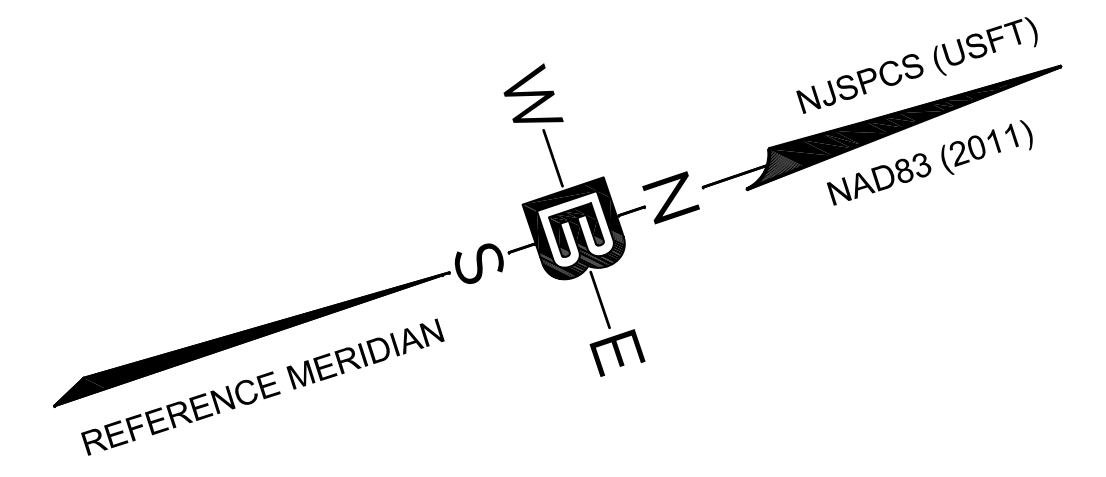


Mountain View Auto Body

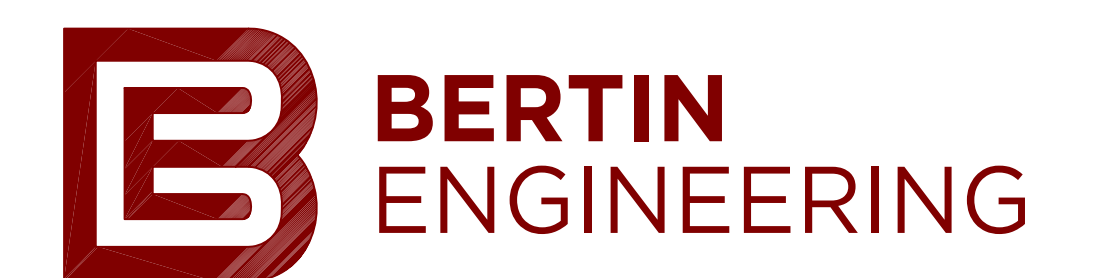
246-264 South Broad Street
Ridgewood, New Jersey

CONRAIL ERIE LACKAWANNA RAILROAD
PATERSON & RAMAPO BRANCH



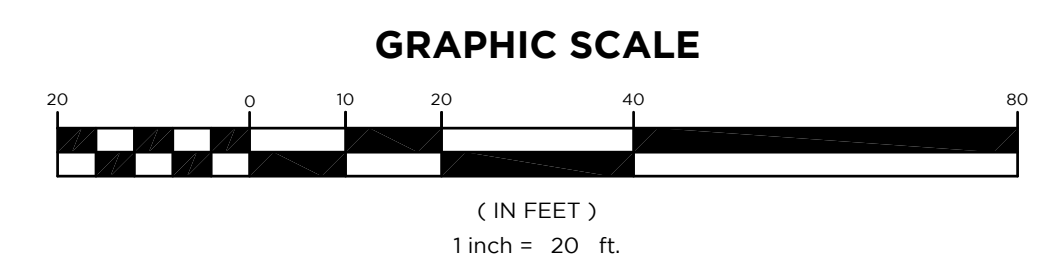
Roll-off

	feet
Width	: 8.00
Track	: 8.00
Lock to Lock Time	: 6.0
Steering Angle	: 31.8



66 Glen Avenue, Glen Rock, NJ 07452

ROLL-OFF DUMPSTER TRUCK CIRCULATION PATHS



Date:	6-9-25	Drawn By:	J.A.S.
Project No:	22-146	Dwg. No.:	TRK-1
Scale:	1" = 20'	Revision Date:	N/A

© Bertin Engineering Associates, Inc. 1192.188.16.218E Job Files\2022\22-146 Ridgewood\Design\22-146-PL (working 2).dwg Jun 10, 2025 - 12:00pm msi grib