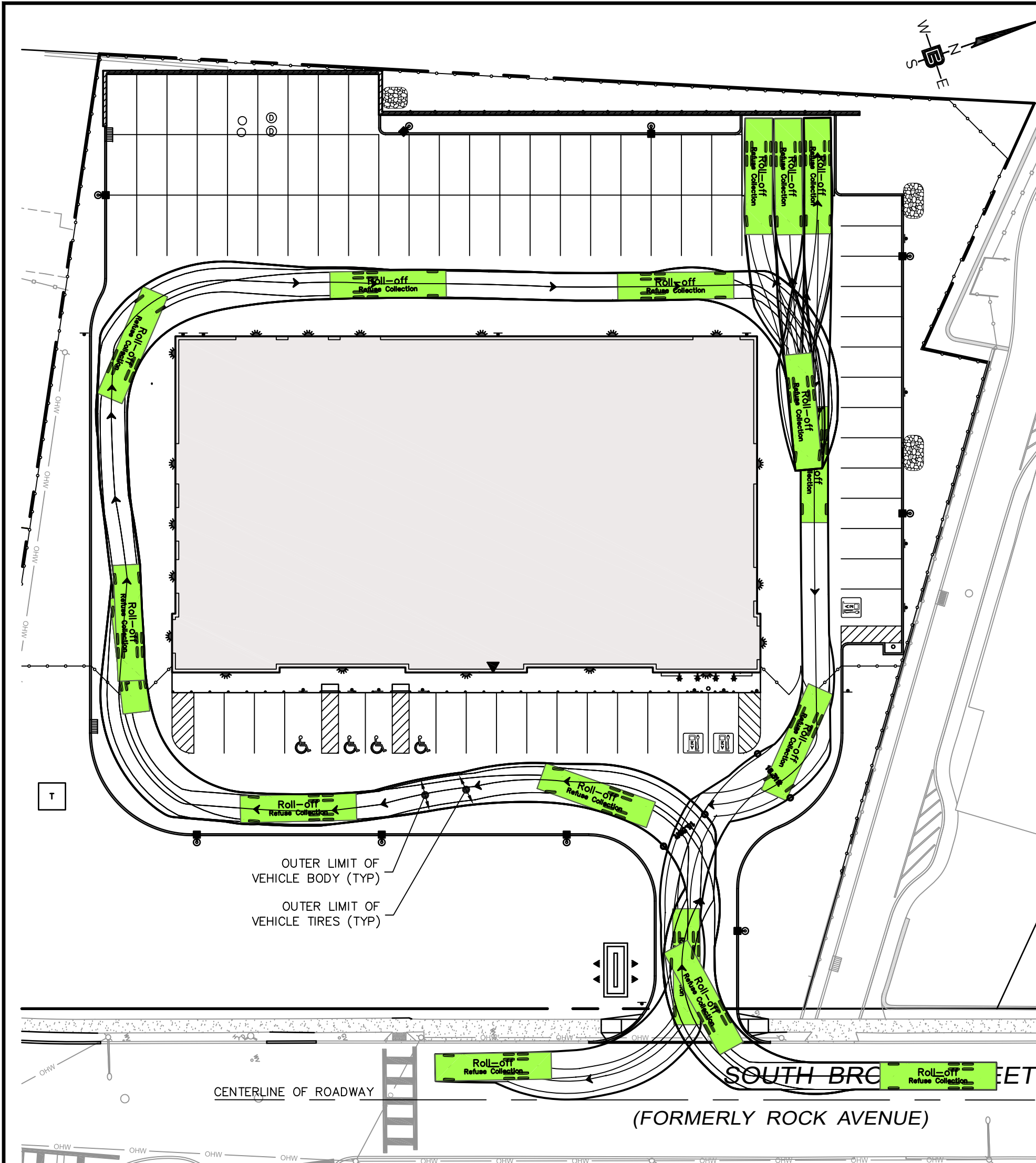
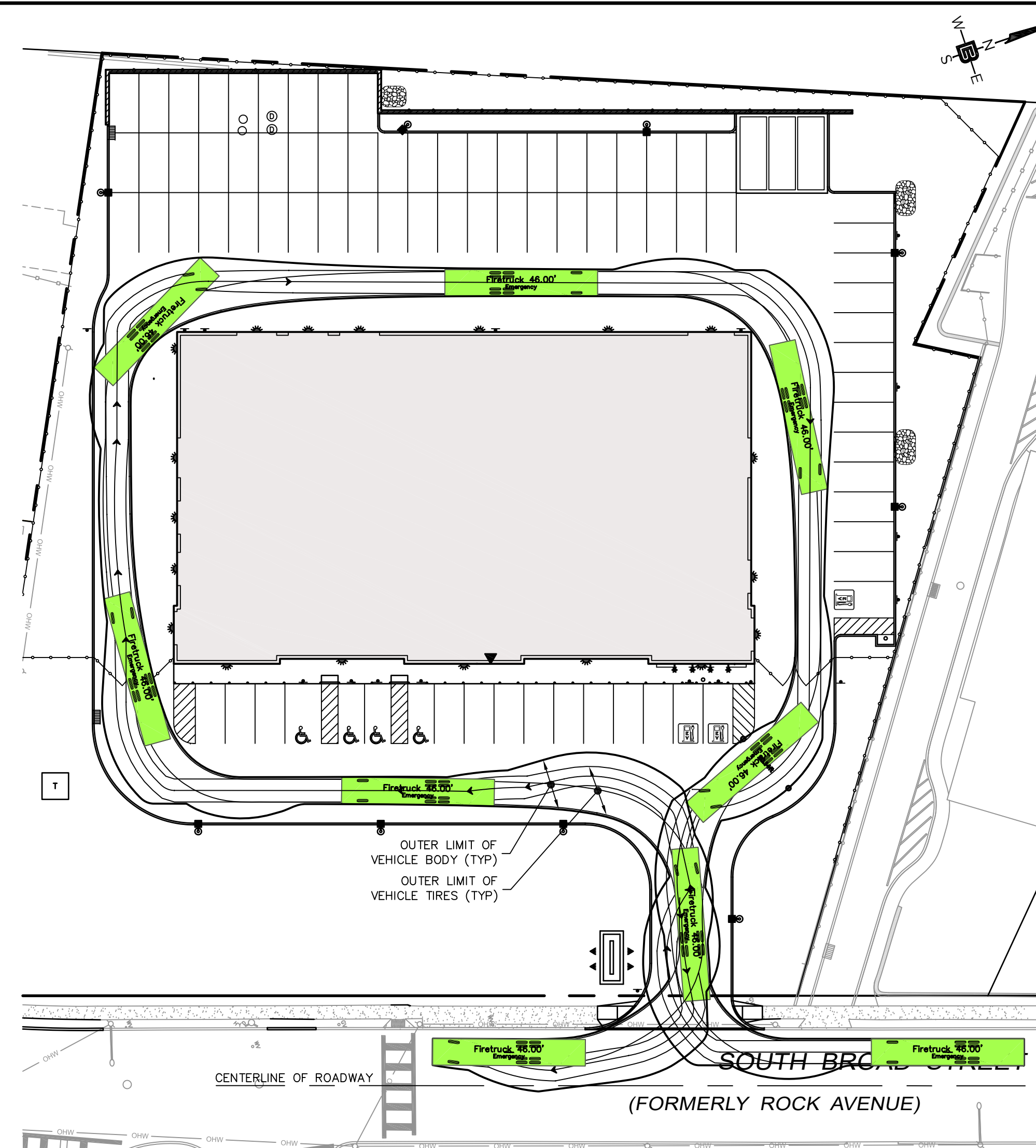


© Bertin Engineering Associates, Inc. 1192.188.16.218E Job Files\2022\22-146-PL (working 2) (dwg Jun 20, 2025 - 2:02pm) jchumacher



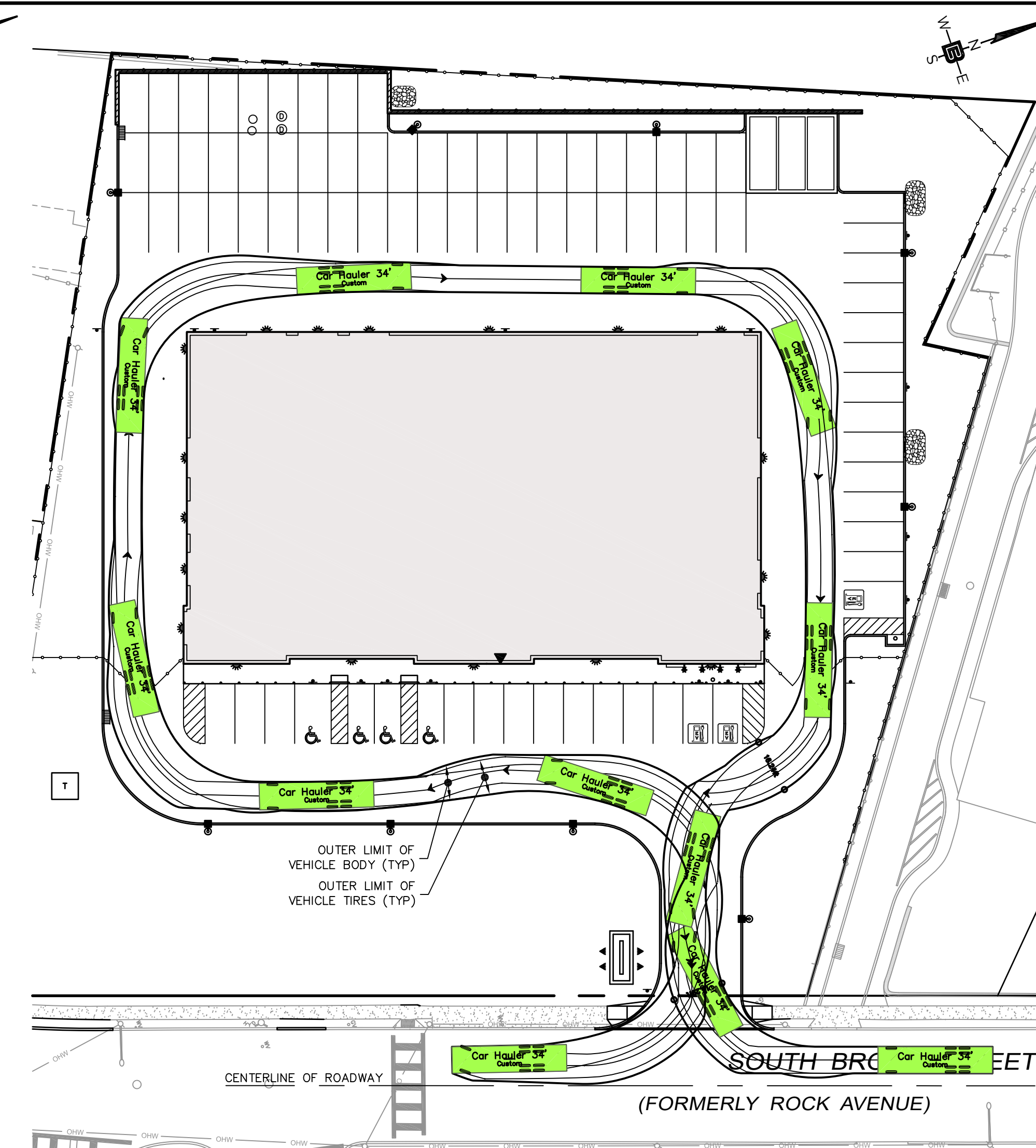
ROLL-OFF DUMPSTER TRUCK CIRCULATION PATH

SCALE: 1" = 30'



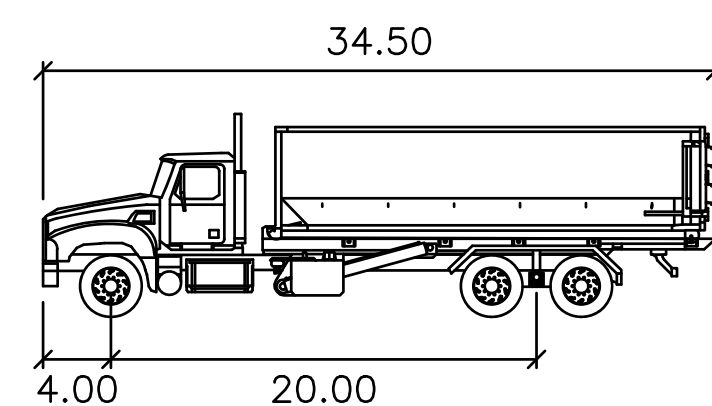
FIRETRUCK CIRCULATION PATH

SCALE: 1" = 30'



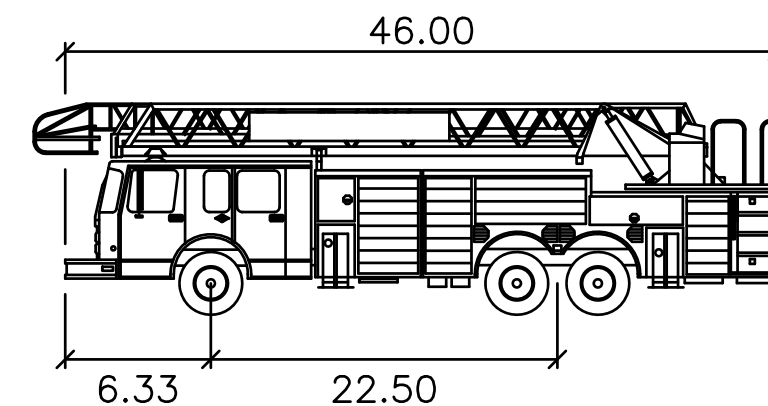
FLATBED CAR HAULER CIRCULATION PATH

SCALE: 1" = 30'



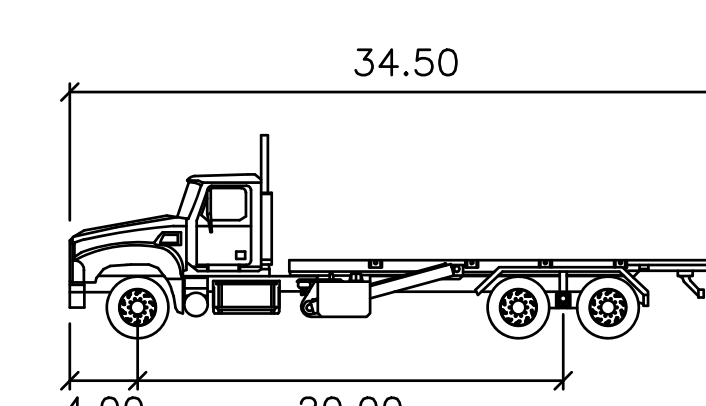
Roll-off

	feet
Width	: 8.00
Track	: 8.00
Lock to Lock Time	: 6.0
Steering Angle	: 31.8



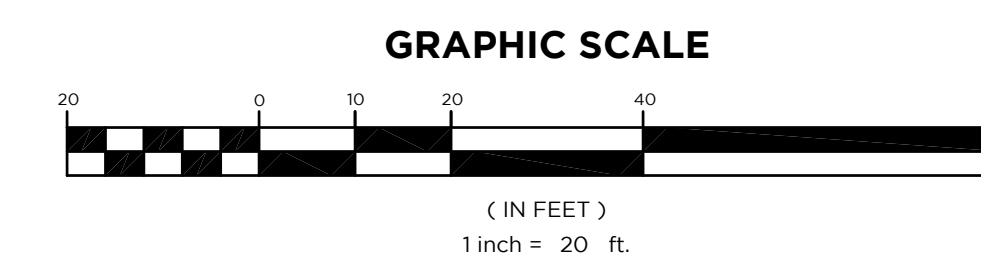
Firetruck 46.00'

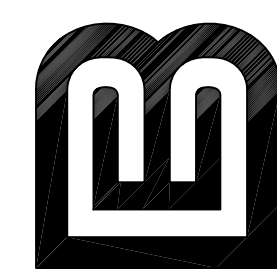
	feet
Width	: 7.99
Track	: 6.91
Lock to Lock Time	: 6.0
Steering Angle	: 40.0



Car Hauler

	feet
Width	: 8.00
Track	: 8.00
Lock to Lock Time	: 6.0
Steering Angle	: 31.8





BERTIN ENGINEERING

CIVIL • SURVEYING • TRAFFIC • STRUCTURAL • ENVIRONMENTAL • MECHANICAL • LANDSCAPE

66 GLEN AVENUE
 GLEN ROCK, NJ 07452
 P 201.670.6888
 F 201.670.3788
 www.bertinengineering.com

CALISTO J. BERTIN, P.E.
 PROFESSIONAL ENGINEER
 CT LIC. NO. 12950 NJ LIC. NO. 28845
 MA LIC. NO. 40595 NY LIC. NO. 60022
 NH LIC. NO. 9368 RI LIC. NO. 6694

SHAN-PEI FANCHIANG, P.E.
 PROFESSIONAL ENGINEER
 NJ LIC. NO. 37073
 NY LIC. NO. 071209

NO.	DATE	REVISION
3	6-20-25	REVISE TRUCK PATHS SO VEHICLES DO NOT CROSS CENTERLINE OF ROADWAY WHEN ENTERING OR EXITING SITE; RENAMER DRAWING
2	3-29-25	ADD CAR HAULER
1	11-11-24	UPDATE PLAN PER SITE LAYOUT CHANGE

DRAWING TITLE
VEHICLE CIRCULATION PLANS

PROJECT
MOUNTAIN VIEW AUTO BODY
 BLOCK 3905, LOTS 12, 13 & 14
 246-264 SOUTH BROAD STREET
 VILLAGE OF RIDGEWOOD
 BERGEN COUNTY, NEW JERSEY

CLIENT
MOUNTAIN VIEW AUTO
 96 NEWARK POMPTON TURNPIKE
 WAYNE, N.J. 07470

CERTIFICATE OF AUTHORIZATION:
 24GA28068900 / 21MH00002800

DRAWN BY J.A.S.	CHECKED BY S.P.F.
SCALE 1"=20'	PROJECT NO. 22-146
DATE 7/02/24	REVISION NO. 3

DRAWING NO.
C2.6